

## 電磁解放 N-78B 制輪式 防火門用自動閉鎖裝置



新發售



BCJ-防災-82-C-120  
日本實用新案專利申請中

## "NIKKEY" BRAND SMOKE AUTO RELEASE

MODEL NO. N-78B

### "NIKKEY" BRAND ELECTROMAGNETIC RELEASE LATCH MODEL NO. N-78B SMOCON AUTOMATIC DOOR RELEASE (FOR FIRE PROOF DOOR)

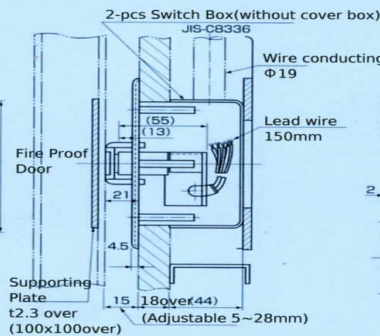
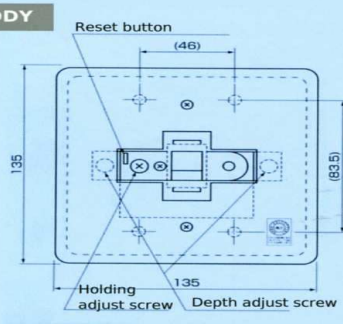
- It is holding system at lateral wall and automatic releasing of Fire Proof Door.
- The hook is removed by flow of current and it releases the door .
- The door can be closed just pulling the door handle by hand.
- With function preventing re-lock.



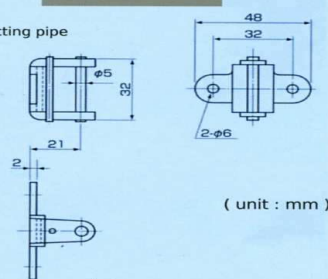
#### FEATURES

MODEL NO.	N-78B
TYPE	LATCH TYPE
VOLTAGE	DC 24V
AMPERE	0.13A
CURRENT STANDARD	CONTINUOUS(SELF CUTTING TYPE)
VOLTAGE ALLOWANCE	DC18V~DC30V
LEAD WIRE	HEAT PROOF ELECTRIC WIRE
HOLDING ALLOWANCE	10 kgf~70kgf
RELEASING POWER	30 kgf/DC18V
HOLD THE DOOR	BY HAND
MICRO SWITCH POINT OF CONTACT	DC30V 4A
TEMPERATURE ALLOWANCE	-10°C ~ 40°C
OPERATION FORM	OPERATES WITH FLOW OF CURRENT

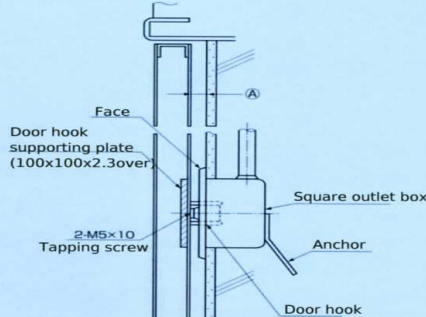
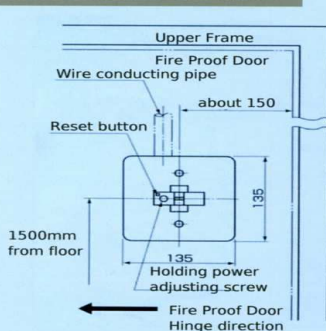
#### BODY



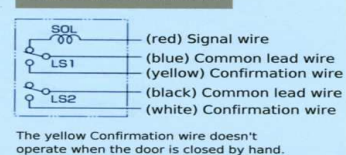
#### DOOR HOOK



#### INSTALLATION DIAGRAM



#### CIRCUIT DIAGRAM



#### ADJUSTABLE SIZES : ( SIZE "A" : Between Fire Proof Door and Wall)

	" A "
Standard size	15mm
Adjustable sizes	5~28mm